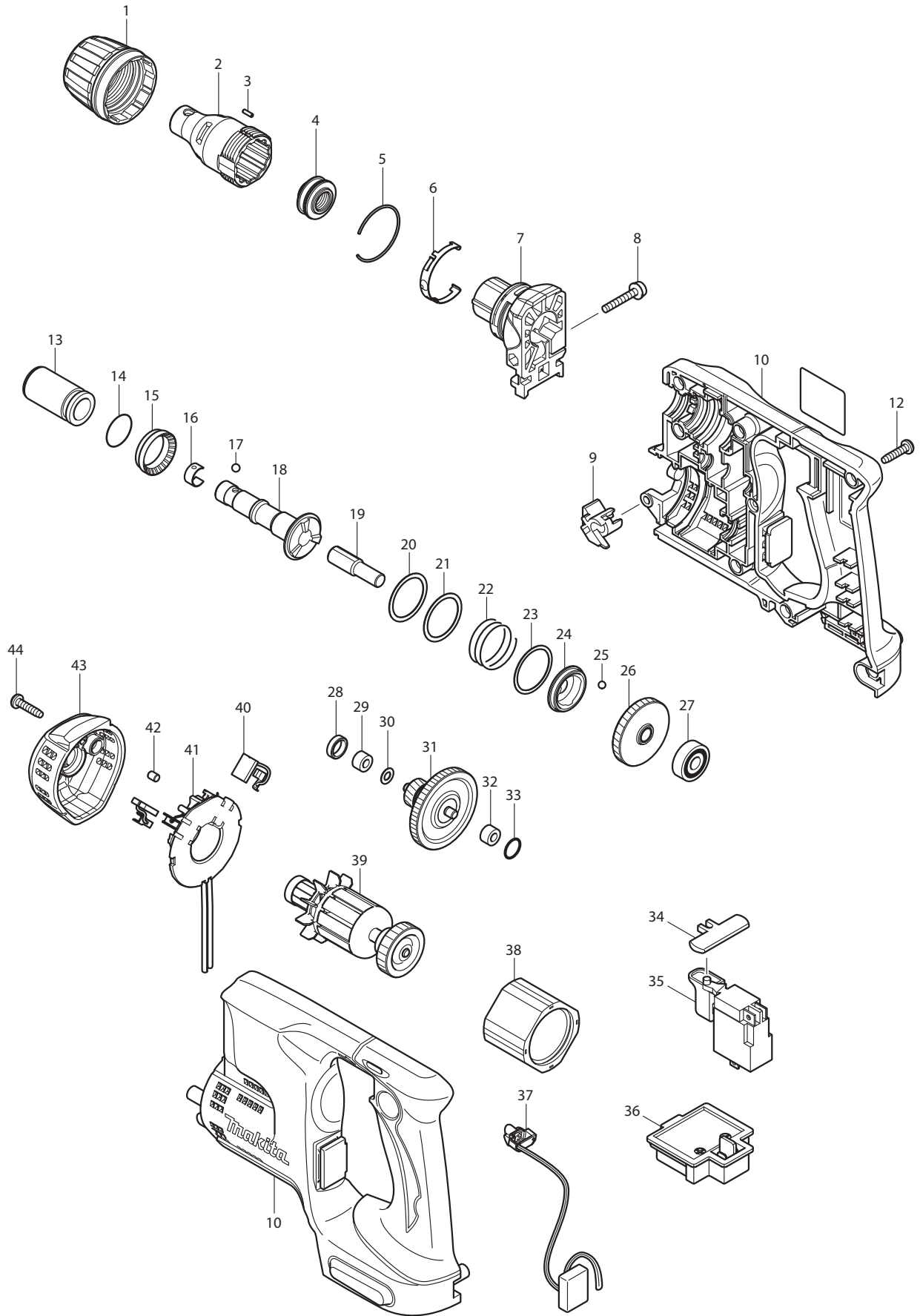




09 - 2011
BFS450, BFS450Z, BFS450H2, BFS450F
18V SCREWDRIVER



Item No	Type	Ref	Re Part No	Description	Qty	Unit
1			450691-1	LOCK RING	1	PC.
2			158753-6	LOCATOR L COM.	1	PC.
		INC.		Item No. 3, 4	1	PC.
3			424133-1	BRAKE PIN	1	PC.
4			424134-9	DUST SEAL RING	1	PC.
5			233967-9	RING SPRING 33	1	PC.
6			232245-4	LEAF SPRING	1	PC.
7			158755-2	LOCATOR BASE COM.	1	PC.
8			911148-2	P.H. SCREW M4X25	1	PC.
9			450689-8	LIGHT HOLDER	1	PC.
10	1		188559-8	* HOUSING SET	1	SET
	2		187479-3	* HOUSING SET	1	SET
12			265995-6	TAPPING SCREW 4X18	9	PC.
13			214174-3	PLANE BEARING 14	1	PC.
14			213262-3	O RING 18	1	PC.
15			421927-5	SLEEVE 20	1	PC.
16			232050-9	LEAF SPRING	1	PC.
17			216001-0	STEEL BALL 3.5	1	PC.
18			324925-7	SPINDLE	1	PC.
19			256509-2	SHOLDER PIN 8-10	1	PC.
20			267331-2	FLAT WASHER 25	1	PC.
21			267331-2	FLAT WASHER 25	1	PC.
22			234017-3	COMPRESSEION SPRING 25	1	PC.
23			267332-0	FLAT WASHER 26	1	PC.
24			223169-5	CLUTCH CAM C	1	PC.
25			216008-6	STEEL BALL 4	3	PC.
26			226670-9	HELICAL GEAR 48	1	PC.
27			211034-0	BALL BEARING 608	1	PC.
28			165115-1	RUBBER SLEEVE 10	1	PC.
29			214017-9	PLANE BEARING 5	1	PC.
30			253811-4	FLAT WASHER 5	1	PC.
31			154937-4	GEAR COMPLETE 18-44	1	PC.
32			214017-9	PLANE BEARING 5	1	PC.
33			213055-8	O RING 10	1	PC.
34			419304-3	CHANGE LEVER F/R	1	PC.
35	1		650603-6	* SWITCH(TRIGGER)TG513SBA-1	1	PC.
	2		650670-1	* SWITCH(TRIGGER)TG513SBA-2	1	PC.
36	1		643812-4	* TERMINAL, BLACK	1	PC.
	2		643843-3	* TERMINAL, YELLOW	1	PC.
	3		643860-3	* TERMINAL	1	PC.
37			631818-4	LIGHT CIRCUIT	1	PC.
38			638426-2	YORK UNIT	1	PC.
39			619216-2	ARMATURE	1	PC.
40	1		194427-5	CARBON BRUSH CB-440, 2PCS/SET, W/O ORIGIN - N/L/A	1	SET
	2		195021-6	CARBON BRUSH CB-440 2PC/SET, W/ ORIGIN	1	SET
41			638433-5	BRUSH HOLDER COM.	1	PC.
		INC.	231696-8	TORSION SPRING R	1	PC.
		INC.	231697-6	TORSION SPRING L	1	PC.
42			263032-0	RUBBER PIN 4	2	PC.
43			450692-9	FRONT COVER	1	PC.
44			265995-6	TAPPING SCREW 4X18	2	PC.
101			654208-4	RECEPTACLE	2	PC.
102			654510-5	INSULATED CONNECTOR 5.5-SD	2	PC.
E01			620123-4	CONTROLLER (Added)	1	PC.
ACCESSORIES			- See Catalogue or visit www.makita.ca for more accessories -			
A01			281220-7	HOOK	1	PC.
A02			784211-2	PHILLIPS INSERT BIT 2-25	1	PC.
			784212-0	PHILLIPS INSERT BIT 1-25	1	PC.
			784213-8	PHILLIPS INSERT BIT 3-25	1	PC.

Item No	Type	Ref	Re Part No	Description	Qty	Unit
A03			784801-1	MAGNETIC BIT HOLDER 6.35-76	1	PC.
			784807-9	MAGNETIC BIT HOLDER 6.35-60	1	PC.
A04	1		DC18RA	CHARGER DC18RA	1	PC.
	2		DC18RC	CHARGER DC18RC	1	PC.
			DC18SD	CHARGER DC18SD	1	PC.
			DC18SE	12V CHARGER DC18SE	1	PC.
A05			194205-3	18V LI-ION BATTERY BL1830	2	PC.
			194230-4	18V LI-ION BATTERY BL1830, 2/PK	1	PK
			194309-1	18V LI-ION BATTERY BL1815	2	PC.
			194428-3	18V LI-ION BATTERY BL1815, 2/PK	1	PK
A06	1		824756-9	PLASTIC CARRYING CASE	1	PC.
		INC.	417059-4	LATCH	2	PC.
	2		140392-6	PLASTIC CARRYING CASE	1	PC.
		INC.	417059-4	LATCH	2	PC.
A07	Opt.		821010-X	TOOL BAG 14"	1	PC.

SERVICE CHANGES

1. Changes on Switch, Terminal and Housing Set (Battery Protection Circuit)

Item No.	Description	(T/I#84038)		(T/I# 93030)
		Type 1	Type 2	Type 3
35	Switch		650603-6	650670-1
36	Terminal	643812-4	643843-3	643860-3
10	Housing Set		188559-8	187479-3
E01	Controller	---	---	620123-4

Above parts are completely interchangeable as a set.

Service Note:

- Use Type 3 parts for repair of the model manufactured on or after December 2011 with using Yellow lead wire between Controller and Terminal.
- Use Type 1-2 for repair of the model manufactured before December 2011 without using Yellow lead wire between Controller and Terminal.

**** See Technical Information #93030 for Wiring Diagram Change**